

THIS DRAWING AND THE DATA CONTAINED ON IT HAVE BEEN PROVIDED FOR LIMITED PURPOSES ONLY, AND CONTAINS CONFIDENTIAL INFORMATION THAT IS THE PROPERTY OF SPRAYMATION INC. ACCEPTANCE OF THIS INFORMATION CONSTITUTES AN AGREEMENT THAT IT WILL NOT BE DIVULGED TO OTHERS OR USED TO THE DETRIMENT OF SPRAYMATION INC.

MATERIAL: Note: this is general reference drawing. A drawing with a specific model and a full quotation should be used for project planning.
FINISH: Details are subject to change.



*Designers & Manufacturers
of Custom Adhesive Application &
Automatic Spraying Equipment*

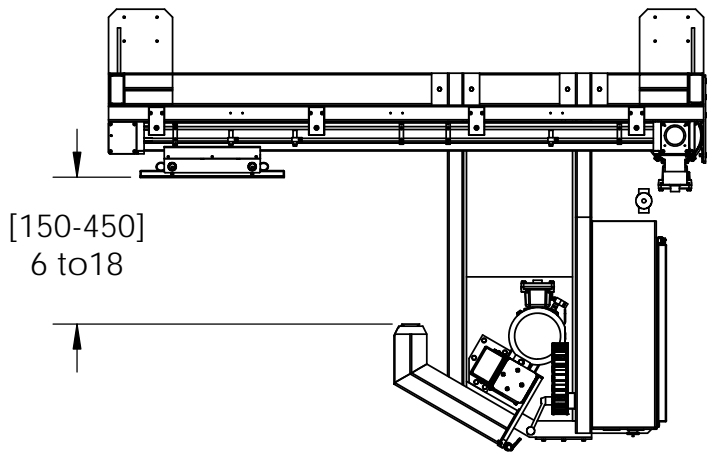
5320 NW 35TH AVENUE - FORT LAUDERDALE, FL 33309

F	<p>THIRD ANGLE PROJECTION</p>	<p>TOLERANCES UNLESS OTHERWISE SPECIFIED CIRCULAR DIMENSIONS: DECIMAL ±.002 - FRACTIONAL ±.005 LINEAR DIMENSIONS: DECIMAL ±.010 - FRACTIONAL ±1/64 DIAMETERS ARE TO BE CONCENTRIC WITHIN .005 T.I.R. ANGULAR DIMENSIONS: ±½° - BREAK ALL EDGES R.005 - R.015</p>
E		

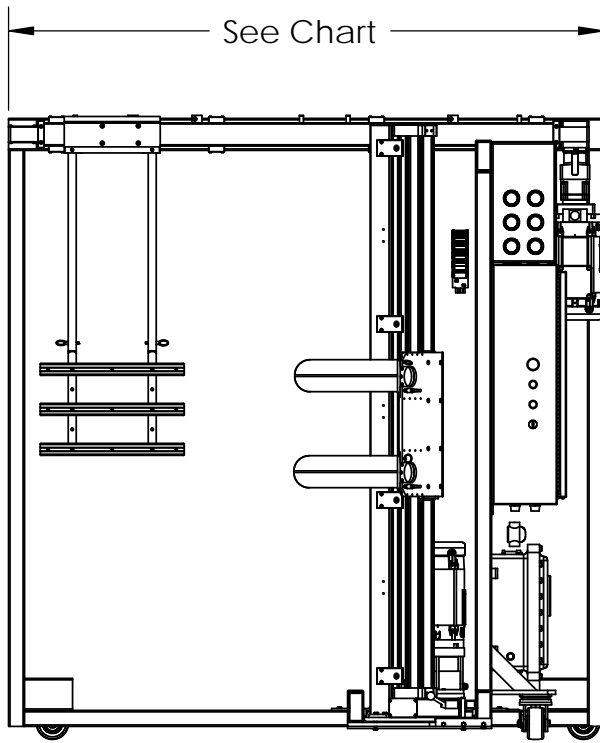
D ASSEMBLY: S4 Series (311440) general details

C PART NAME: Frame End Mounting Plate

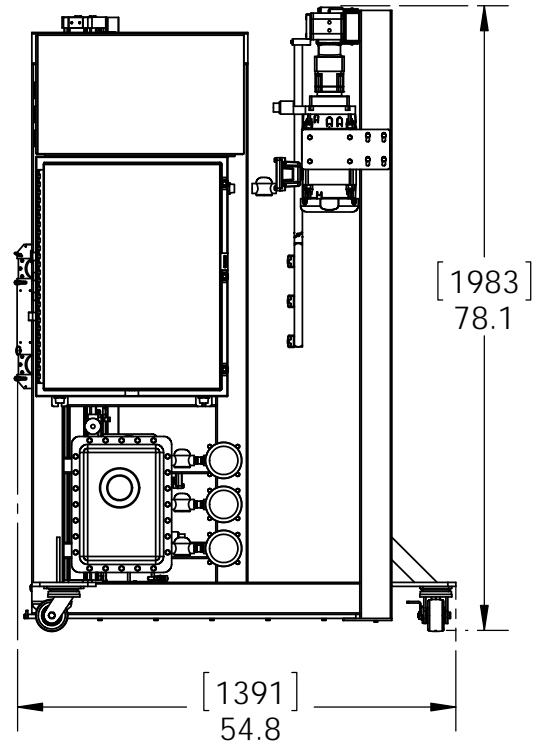
B	SCALE: 1:12	REVISION	PART NUMBER
	DATE: 2/26/2015		
A	DRAWN BY: RBD	<h1>311440-1-3</h1>	
	CHECKED BY:		



[150-450]
6 to 18



See Chart



[1983]
78.1

[1391]
54.8

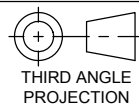
THIS DRAWING AND THE DATA CONTAINED ON IT HAVE BEEN PROVIDED FOR LIMITED PURPOSES ONLY, AND CONTAINS CONFIDENTIAL INFORMATION THAT IS THE PROPERTY OF SPRAYMATION INC. ACCEPTANCE OF THIS INFORMATION CONSTITUTES AN AGREEMENT THAT IT WILL NOT BE DIVULGED TO OTHERS OR USED TO THE DETRIMENT OF SPRAYMATION INC.

MATERIAL: Note: this is general reference drawing. A drawing with a specific model and a full quotation should be used for project planning.
FINISH: Details are subject to change.



*Designers & Manufacturers
of Custom Adhesive Application &
Automatic Spraying Equipment*

5320 NW 35TH AVENUE - FORT LAUDERDALE, FL 33309



THIRD ANGLE
PROJECTION

TOLERANCES UNLESS OTHERWISE SPECIFIED
CIRCULAR DIMENSIONS: DECIMAL ±.002 - FRACTIONAL ±.005
LINEAR DIMENSIONS: DECIMAL ±.010 - FRACTIONAL ±1/64
DIAMETERS ARE TO BE CONCENTRIC WITHIN .005 T.I.R.
ANGULAR DIMENSIONS: ±½° - BREAK ALL EDGES R.005 - R.015

F
E
D ASSEMBLY: S4 Series (311440) general details

C PART NAME: General Details

B SCALE: 1:24
DATE: 2/26/2015
A DRAWN BY: RBD
CHECKED BY:

REVISION

PART NUMBER

311440-2-3

This series of machine is designed for flexibility. Stroke lengths, speeds, patterns. And interconnection with other controls all are possible and expected. Machines can be sized to existing booths.

Model 311442 (the machine in videos and photos) is a compact unit primarily for demonstration. It move 2 full size bells vertically and move panels on magnet bars behind the atomizer. Horizontal and vertical painting stokes are the standard. The machine can also do W strokes with both axis in motion. This machine has optional electronic pressure regulators for atomize air, fan shape air and fluid pressure along with analog signals for a bells high voltage and RPM controls.


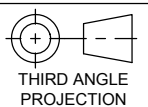
The machine is 74 inches (1.9m) wide, it has magnet bars that are 18 inches wide, it paints 18W X 24H inches (450 X 600mm) with bell patterns that are 12 inches (300mm) in diameter or 24 X24 (600 X 600mm) patterns with conventional spray guns.

Model 311AAA (AAA is to be assigned) is a machine that is wider to accommodate a 24 X24 inch panel set with a bell spraying a 12 inch (300mm) diameter pattern. The machine would have an 86 (2.2m) inch width.

Model 311BBB (BBB is to be assigned) is a machine that is wider to accommodate a 36 X24 inch panel set with a bell spraying a 12 inch (300mm) diameter pattern. The machine would have a 98 inch (2.5) width.

Options:

1. Programmable Atomize air pressure
2. Programmable Atomize air mass flow
3. Programmable Fan Shape air pressure
4. Programmable Fan Shape air mass flow
5. Programmable fluid pressure (s)
6. Programmable fluid closed loop flow(s)
7. Programmable fluid pump(s)
8. Programmable Electrostatic control signals
9. Programmable Bell Turbine control signals
10. Other programmable analog in or out signals.
11. Programmable color change stack options.

<p>THIS DRAWING AND THE DATA CONTAINED ON IT HAVE BEEN PROVIDED FOR LIMITED PURPOSES ONLY, AND CONTAINS CONFIDENTIAL INFORMATION THAT IS THE PROPERTY OF SPRAYMATION INC. ACCEPTANCE OF THIS INFORMATION CONSTITUTES AN AGREEMENT THAT IT WILL NOT BE DIVULGED TO OTHERS OR USED TO THE DETRIMENT OF SPRAYMATION INC.</p>			
<p>MATERIAL: Note: this is general reference drawing. A drawing with a specific model and a full quotation should be used for project planning.</p>		 <p>5320 NW 35TH AVENUE - FORT LAUDERDALE, FL 33309</p> <p><i>Designers & Manufacturers of Custom Adhesive Application & Automatic Spraying Equipment</i></p>	
<p>FINISH: Details are subject to change.</p>			
	F	 <p>THIRD ANGLE PROJECTION</p>	<p><u>TOLERANCES UNLESS OTHERWISE SPECIFIED</u> CIRCULAR DIMENSIONS: DECIMAL ±.002 - FRACTIONAL ±.005 LINEAR DIMENSIONS: DECIMAL ±.010 - FRACTIONAL ±1/64 DIAMETERS ARE TO BE CONCENTRIC WITHIN .005 T.I.R. ANGULAR DIMENSIONS: ±½° - BREAK ALL EDGES R.005 - R.015</p>
	E		
	D	ASSEMBLY: S4 Series (311440) general details	
	C	PART NAME: General Details	
	B	SCALE: 1:12 DATE: 2/26/20157	REVISION PART NUMBER
	A	DRAWN BY: RBD CHECKED BY:	311440-3-3